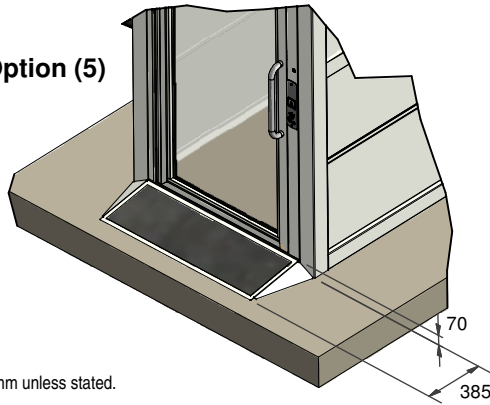


Data sheet for lifts with a 1/2 height gate at the uppermost floor (max. travel 3m, 400kg capacity)
 For lifts with a full height door at the uppermost floor see separate data sheet.

Ramp Option (5)



Notes:

- (1) All dimensions in mm unless stated.
- (2) 2500mm minimum floor to floor is required for entrances above each other on the same side.
- (3) The lift pit must be provided with adequate drainage.
- (4) Headroom is dependant upon the travel - please contact us for further information.
- (5) If pit cannot be formed a ramp is available as an optional extra.
- (6) Min. lintel height required for standard door closers = 2150mm. Add 70mm to dim if ramp option is being used - this applies only to the lower floor.
- (7) Part M (England & Wales) and section 4.2 of the Technical Handbook (Scotland) compliant.
- (8) Aperture & Footprint dimensions will increase by 10mm on each side when a 60 minute fire door is specified.

Electrical Requirements:

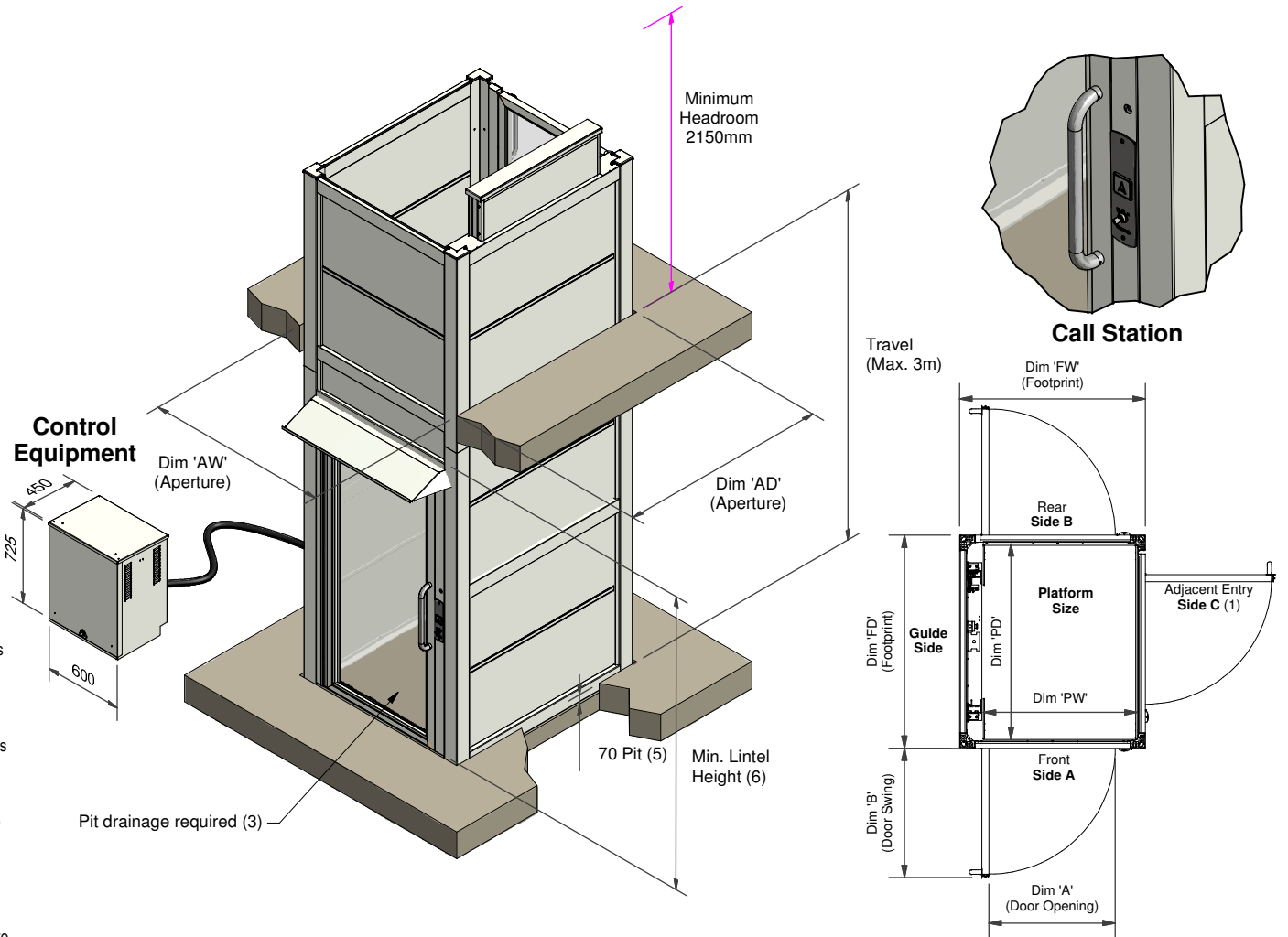
- (9) Provide a dedicated single phase supply protected by a 13amp type D MCB and 30mA RCD. The lift supply is to terminate in a lockable isolator at a position shown on builders work diagram.
- (10) Tank oil heater supply - Provide a 3amp switch spur adjacent to pump unit installation. The supply to this spur is not to be derived from lift supply detailed in note 8.
- (11) Provide a 13amp electrical outlet socket adjacent to the lift installations at all levels. The supply to these sockets is not to be derived from the lift supply detailed in note 8 above.
- (12) Ensure that lighting at all landing levels and within the lift shaft is not less than 50lux.

Fixings:

- (13) The lift is fixed to the floor at the base of the enclosure. Fixings are also required at other points, the exact location depends on travel and configuration. Please contact us to discuss further.

Control Equipment:

- (14) The drive unit and electrical control equipment are housed in a separate enclosure, which should be wall mounted and located within 5m (hose run) away from the base of the lift (guide side).



	Door opening	Door swing	Aperture (+10/-0) (8)		Footprint (8)	
Platform size (PW x PD)	Dim 'A'	Dim 'B'	Dim 'AW'	Dim 'AD'	Dim 'FW'	Dim 'FD'
Standard control - 1100 x 1400 (7)	900	1010	1360	1560	1329	1526
Dual control - 1125 x 1400 (7)	900	1010	1540	1560	1510	1526

Waiver

The data sheet is for guidance only & must not be used for proper working drawings. Please contact us for particular details before proceeding. Owing to our policy of continual improvement, we reserve the right to alter specifications & dimensions without prior notice.